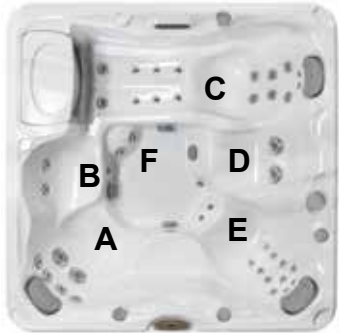


Sundance Spas 780 Hamilton™

Specifications

Dimensions:	89" x 89" x 36" (226 cm x 226 cm x 91.44 cm)	
Seating Capacity:	5-6 Adults	
Dry Weight:	826 lbs (375 kg)	
Filled Weight (Spa Volume):	4,996 lbs (2,266 kg)	
Filled Weight (Average Fill):	4,104 lbs (1,861 kg)	
Water Capacity (Spa Volume):	500 US Gal. (1,893 Liters)	
Water Capacity (Average Fill):	393 US Gal. (1,488 Liters)	
Controls:	780 Series Solid-State Electronic Controls with LCD Readout Programmable Water Temperature, Filtration, and Heat Cycles	
Water Delivery:	2 High Flow Pumps	
Pump 1:	North America (60 Hz): 1-Speed/2.5 HP Continuous, 12.0A Max. Export (50 Hz): 1-Speed/2.0 HP Continuous, 8.0A Max.	
Pump 2:	North America (60 Hz): 1-Speed/2.5 HP Continuous, 11.0A Max. Export (50 Hz): 1-Speed/2.0 HP Continuous, 7.0A Max	
Pump 3:	8-Hour Filter/Circulation Pump; High Output Flow	
Total Hydrojets:	41	
Seat A Jets:	4 Vortex Mini, 2 Vortex III	
Seat B Jets:	2 SMT Fluidix	
Seat C Jets:	2 SMT Micro, 2 Vortex Mini, 6 SMT Fluidix, 6 Adjustable Accu-Pressure	
Seat D Jets:	2 Vortex III	
Seat E Jets:	9 Accu-Pressure, 4 SMT Micro	
Footwell Jet (F):	2 Vortex Mini	
Air Controls/Massage Selectors:	3/1 (New Design) - Standard air control with LED lights	
Filter:	MicroClean® I Filtration System with Floating Weir, 125 ft² combined filtration (1 pleated and 1 spun-bound cartridge)	
Water Treatment:	8-Hour Circulation Pump; Factory installed CLEARRAY® Water Purification System	
Lighting:	Standard Multi-Colored SunRay LED Light; 6 LED Pin lights; Indicator light; Air controls	
Synthetic Cabinet:	Available in Coastal, Mahogany, Autumn Walnut	
Shell Colors:	North America: Platinum, Celestite (Gypsum), Sahara, Oyster (Opal), Copper Sand, Monaco, Midnight, Caribbean Surf, Sandstone, Porcelain Export (50 Hz): All North America Colors	
Handrails:	N/A	
Headrests:	Three, 1-Piece Gray	
Heater:	North America (60 Hz): 5.5 kW, High Flow Export (50 Hz): High Flow, 2.7 kW	
Electrical Requirements:	North America (60 Hz): 240 VAC@40A, 50A, or 60A; Export (50 Hz): 230-240 VAC@20A, 30A, or 40A; or Suitably Rated Circuit Breaker to Comply with Local Electrical Regulations. Certain Countries May Require 2 Power Inputs; Two GFCI/RCD Breakers are Required for This Configuration.	
Limited Warranty*:	North America (60 Hz): 10 Years Shell, 7 Years Shell Surface, 5 Years for Plumbing Component Leaks, 5 Years Equipment and Controls, 5 Years Cabinet, 2 Years Jets, 2 Years Lights, 1 Year Stereo Export (50 Hz): 10 Years Shell, 7 Years Shell Surface, 2 Years Plumbing, 2 Years Equipment and Controls, 2 Years Cabinet, 2 Years Jets, 2 Years Lights, 2 Years Stereo	
Waterfall Feature:	New Design - On/Off Flow Rate; Colored Lighting	
Audio System (Optional):	Factory Installed BLUEWAVE® Spa Stereo System with Wireless Remote Control, Auxiliary 3.5 mm headphone jack connection, USB connection, FM radio, Bluetooth® compatible and integrated docking station	
Special Features (Optional):	Factory Installed SunSmart™ 2.0 Wi-Fi module	

*(See Warranty Document for Specific Details)

Dimensions/Specifications Subject To Change Without Notice

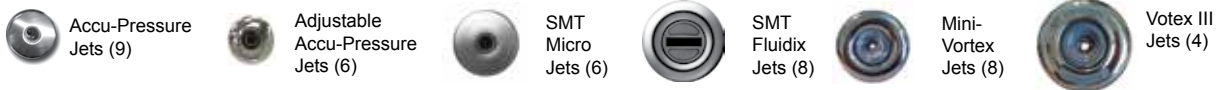
Sundance Spas 780 Hamilton

Operation/Seat Depths



- (A)** Air Control - Activates Seat A Jets (2 Vortex, 4 Vortex Mini) + Seat B Jet (2 SMT Fluidix) + Seat D (2 Vortex) + Footwell Jets (2 Vortex Mini)
 - (B)** Air Control - Activates Seat C Jets (2 SMT Mirco, 2 Vortex Mini, 6 SMT Fluidix, 6 Adjustable Accu-Pressure)
 - (C)** Massage Selector [Pump 1]- Adjusts Massage Level Between Seat C Jets and Seat E Jets
 - (D)** Air Control - Activates Seat E Jets (2 SMT Micro, 9 Accu-Pressure)
 - (E)** Waterfall Selector [8-Hour Circ. Pump] - Controls Waterfall Output
- Jets Pump 2: Seat A Jets + Seat B Jets + Seat D Jets + Footwell Jets are always on when this pump is running

41 Total Jets (Stainless Steel Escutcheons Standard)



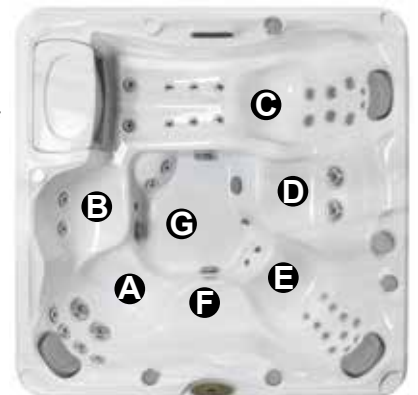
Spa Operation Subject To Change Without Notice

SEAT DEPTHS

A = 27.25" (69.22 cm)
B = 20.50" (52.07 cm)
C = 25.50" (64.77 cm)
D = 22.75" (57.79 cm)

E = 27.25" (69.22 cm)
F = 18.25" (46.36 cm)
G = 32.50" (82.55 cm)

Listed dimensions represent distance from top of acrylic to lowest point in seat. **Tolerance ± 0.5" (1.27 cm).**

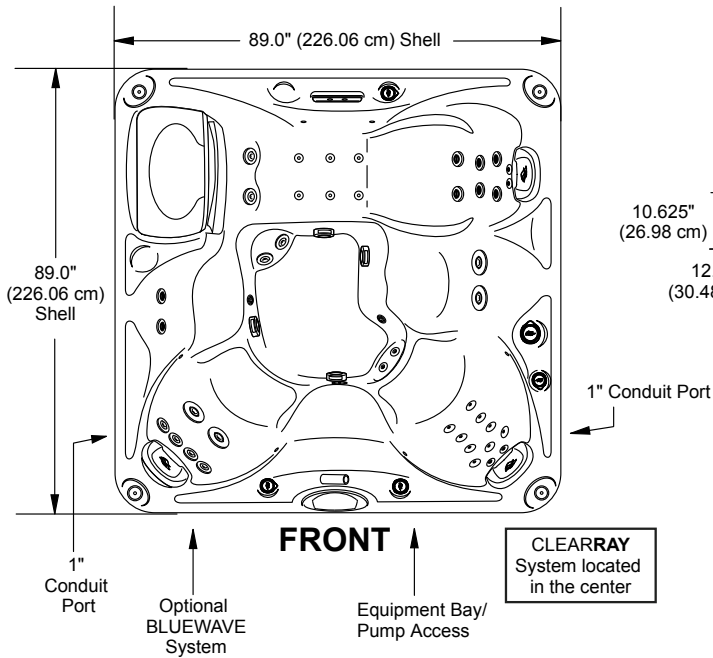


Dimensions/Specifications Subject To Change Without Notice

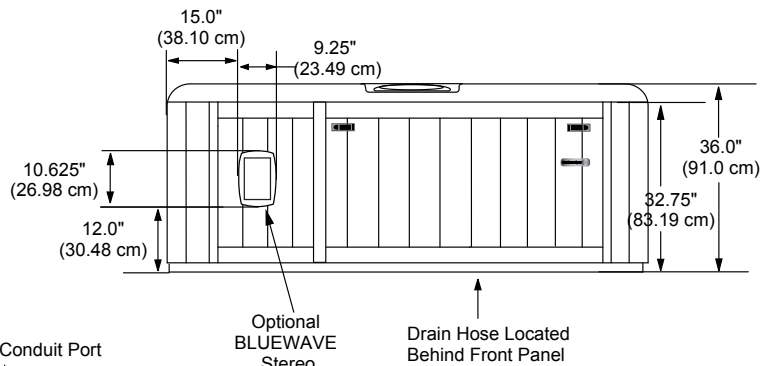
Sundance Spas 780 Hamilton

Portable Dimensions

TOP VIEW

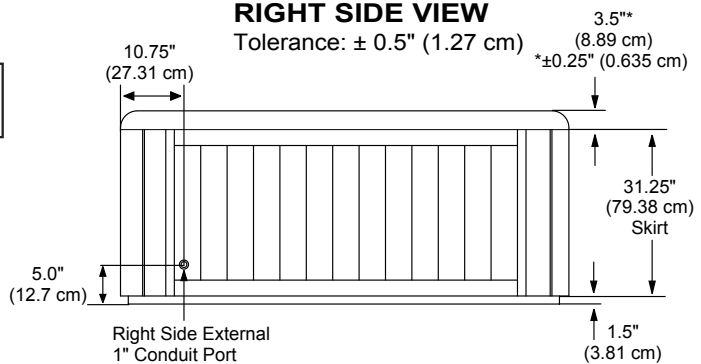


FRONT/BACK SIDE VIEW
(Front view of stereo option shown)
Tolerance: $\pm 0.5"$ (1.27 cm)

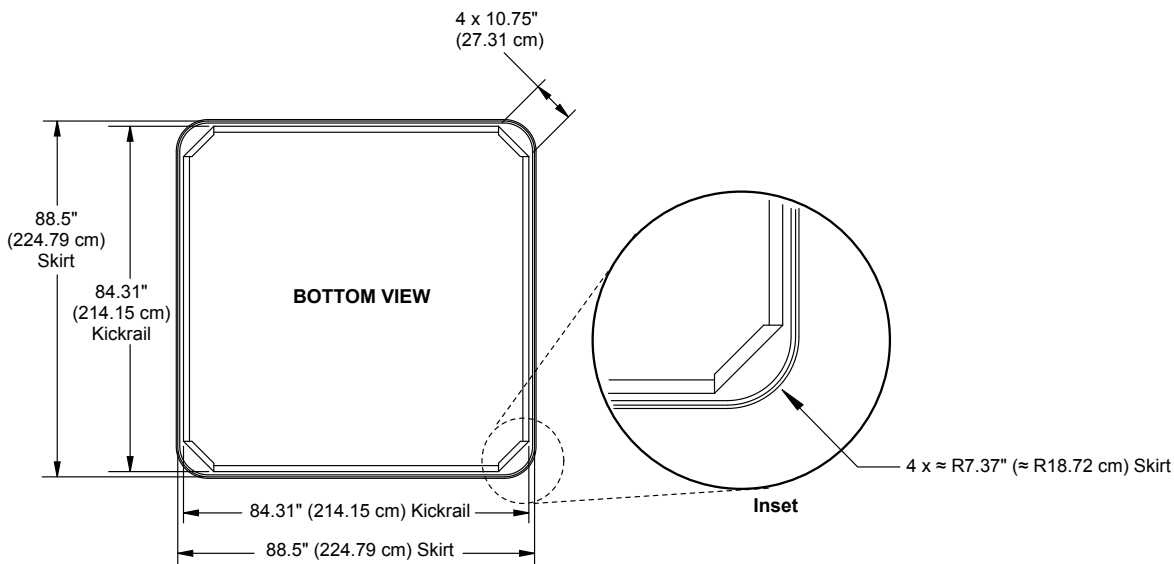


RIGHT SIDE VIEW

Tolerance: $\pm 0.5"$ (1.27 cm)



IMPORTANT! Always measure each hot tub for exact dimensions BEFORE designing its foundational support and/or decking.



Dimensions/specifications subject to change without notice. Tolerance: $\pm 0.5"$ (1.27 cm)

Dimensions/Specifications Subject To Change Without Notice

1-fas 230V C-sikring (treg) til alle modeller.
780/880-modeller kan kobles med 3-fas (400 volt TN-nett - se egne linjer)

780-serien:

Hamilton: For å få mest mulig glede av badet anbefaler vi høyeste kurs for optimal drift.				
	Type varmeelement	Alternativ tilkobling	Funksjon	JP1 Jumper Bank
Hamilton:	5,5 kW	3-fas (400 volt TN-nett) 25 amp	Varmeelement og pumper kan brukes samtidig	Se brukermanual.
Hamilton:	5,5 kW	40 amp eller 20 + 25 amp	Varmeelement og pumper kan brukes samtidig	Se brukermanual.
Hamilton:	5,5 kW	25 amp	Alle pumper kan brukes samtidig. Varmeelementet slår seg automatisk av når pumpene startes.	Se brukermanual.
Hamilton:	2,7 kW	3-fas (400 volt TN-nett) 16 amp	Varmeelement og pumper kan brukes samtidig	Se brukermanual.
Hamilton:	2,7 kW	32 amp eller 16 + 20 amp	Varmeelement og pumper kan brukes samtidig	Se brukermanual.
Hamilton:	2,7 kW	20 amp	Alle pumper kan brukes samtidig. Varmeelementet slår seg automatisk av når pumpene startes.	Se brukermanual.
Hamilton:	2,7 kW	16 amp	Kun to av tre pumper kan brukes samtidig. Varmeelementet slår seg av når pumpene startes.	Se brukermanual.