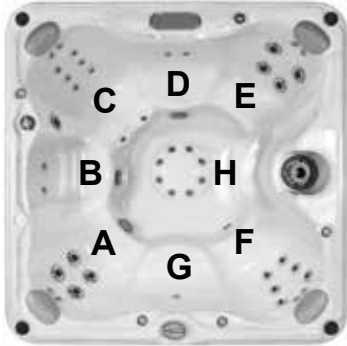


Sundance Spas 680 McKinley™

Specifications

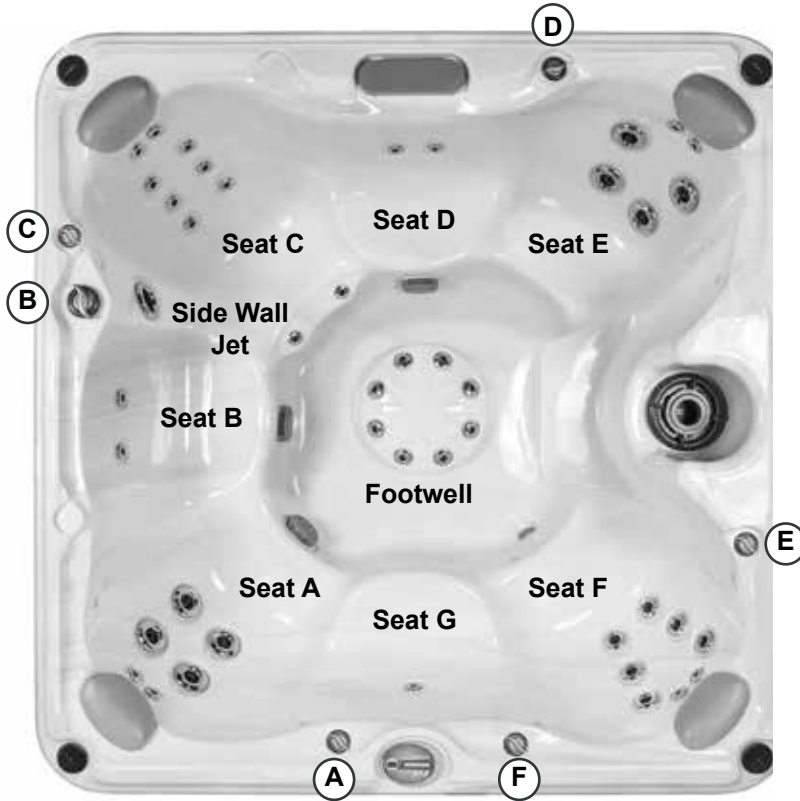
<p>Dimensions:.....89" x 89" x 36" (226 cm x 226 cm x 91.44 cm)</p> <p>Seating Capacity:.....6-7 Adults</p> <p>Dry Weight:.....778 lbs (353 kg)</p> <p>Filled Weight (Spa Volume):.....5,115 lbs (2,320 kg)</p> <p>Filled Weight (Average Fill):.....4,197 lbs (1,904 kg)</p> <p>Water Capacity (Spa Volume):.....520 US Gal (1,968 Liters)</p> <p>Water Capacity (Average Fill):.....410 US Gal (1,552 Liters)</p> <p>Controls:.....Solid-State Electronic Controls with LED Readout, Programmable Water Temperature, Filtration, and Heat Cycles</p> <p>Water Delivery:.....2 High Flow Pumps</p> <p>Pump 1:.....North America (60 Hz): 2-Speed/2.5 HP Continuous, 11.0A Max., 56 Frame Export (50 Hz): 2-Speed/2.0 HP continuous, 8.0A max.</p> <p>Pump 2:.....North America (60 Hz): 1-Speed/2.5 HP Continuous, 10.0A Max., 56 Frame Export (50 Hz): 1-Speed/2.0 HP continuous, 8.0A max.</p> <p>Optional Pump 3:.....N/A</p> <p>Total Hydrojets:.....44</p> <p>Seat A Jets:.....2 DX, 2 DVX, 2 DVR</p> <p>Seat B Jets:.....2 DL</p> <p>Seat C Jets:.....4 DX, 6 DL, 1 DST (Sidewall)</p> <p>Seat D Jets:.....2 DL</p> <p>Seat E Jets:.....2 DX, 4 DVR</p> <p>Seat F Jets:.....2 DX, 6 DXL</p> <p>Seat G Jet:.....1 DL</p> <p>Footwell Jets (H):.....8 DL</p> <p>Air Controls/Massage Selectors:...4/1</p> <p>Filter:.....50 ft² Filter Cartridge System</p> <p>Water Treatment:.....Factory installed CLEARRAY® Water Purification System</p> <p>Lighting:.....CL LED Lighting System (Interior Surround)</p> <p>Synthetic Cabinet:.....Available in Coastal, Mahogany, Autumn Walnut</p> <p>Shell Colors:.....North America: Platinum, Celestite (Gypsum), Sahara, Oyster (Opal), Copper Sand, Monaco, Midnight, Caribbean Surf, Sandstone, Porcelain Export (50 Hz): All North America Colors</p> <p>Headrests:.....Four, 1-Piece Gray</p> <p>Heater:.....North America (60 Hz): 5.5 kW, 240V High Flow Standard Export (50 Hz): 2.7 kW High Flow Standard</p> <p>Electrical Requirements:.....240 VAC, 60 Hz@40A, 50A or 60A Export (50 Hz): 230-240 VAC@20A, 30A or 40A; or Suitably Rated Circuit Breaker to Comply with Local Electrical Regulations. Certain Countries May Require 2 Power Inputs; Two GFCI/RCD Breakers are Required for This Configuration.</p> <p>Limited Warranty*.....North America (60 Hz): 5 Years Shell, 2 Years Shell Surface, 2 Years Equipment and Controls, 2 Years Plumbing Component Leaks, 1 Year Cabinet, 1 Year Jets, 1 Year Stereo Export (50 Hz): 5 Years Shell, 2 Years Shell Surface, 2 Years Plumbing Component Leaks, 2 Years Equipment and Controls, 1 Year Cabinet, 1 Year Jets, 2 Years Stereo</p> <p>Waterfall Feature:.....Variable Valve Control</p> <p>Audio System (Optional):.....Factory Installed BLUEWAVE® Spa Stereo System (Bluetooth®/Aux compatible only) with four speakers</p>	
--	---

*(See Warranty Document for Specific Details)

Dimensions/Specifications Subject To Change Without Notice

Sundance Spas 680 McKinley

Operation/Seat Depths



- (A)** Air Control - Activates Seat A Jets (2 DX, 2 DVR, 2 DVX) + Seat B Jets (2 DL) + Side Wall Jet (1 DST) + Seat G Jet (1 DL) + Footwell Jets (2 DL)
- (B)** Massage Selector [Pump 1]- Adjusts Seat A Jets + Seat B Jets + Seat G + Side Wall Jet + 2 Footwell Jets and Seat C Jets + 2 Footwell Jets
- (C)** Air Control - Activates Seat C Jets (4 DX, 6 DL) + Footwell Jets (2 DL)
- (D)** Air Control - Activates Seat D Jets (2 DL) + Seat E Jets (2 DX, 4 DVR) + Footwell Jets (2 DL)
- (E)** Air Control - Activates Seat F Jets (2 DX, 6 DXL) + Footwell Jets (2 DL)
- (F)** Waterfall Selector [Pump 1] - Controls Waterfall Output

- Jets Pump 1: Powers Seat A Jets + Seat B Jets + Side Wall Jet + Seat C Jets + Seat G Jet + 4 Footwell Jets when running
- Jets Pump 2: Powers Seat D Jets + Seat E Jets + Seat F Jets + 4 Footwell Jets when running

44 Total Jets



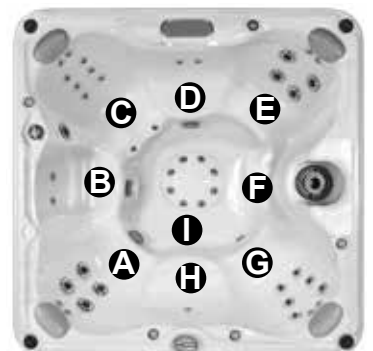
Spa Operation Subject To Change Without Notice

SEAT DEPTHS

A = 25.50" (64.77 cm)
B = 25.00" (63.50 cm)
C = 26.50" (67.31 cm)
D = 22.25" (56.52 cm)
E = 25.75" (65.41 cm)
F = 20.50" (52.07 cm)

G = 26.63" (67.63 cm)
H = 16.63" (42.23 cm)
I = 31.50" (80.01 cm)

Listed dimensions represent distance from top of acrylic to lowest point in seat. **Tolerance ± 0.5" (1.27 cm).**

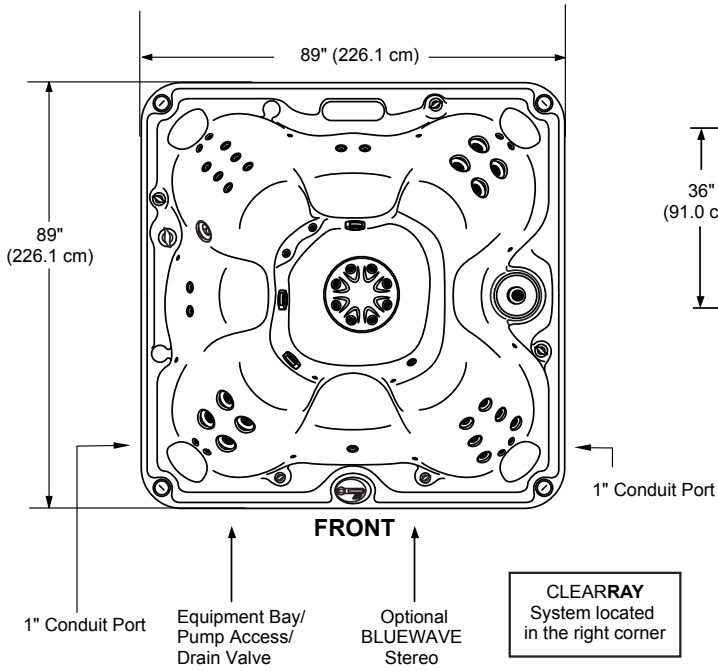


Dimensions/Specifications Subject To Change Without Notice

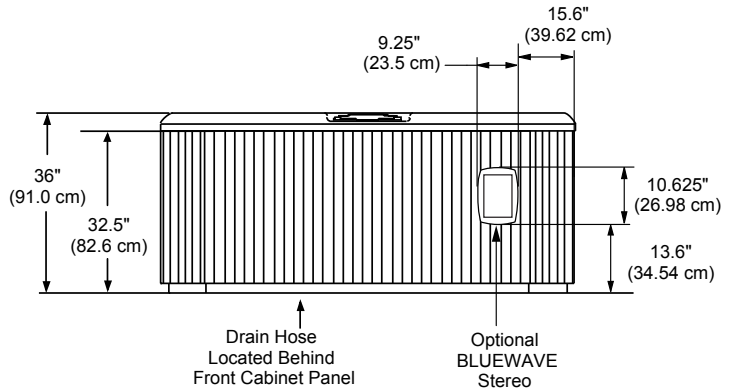
Sundance Spas 680 McKinley

Portable Dimensions

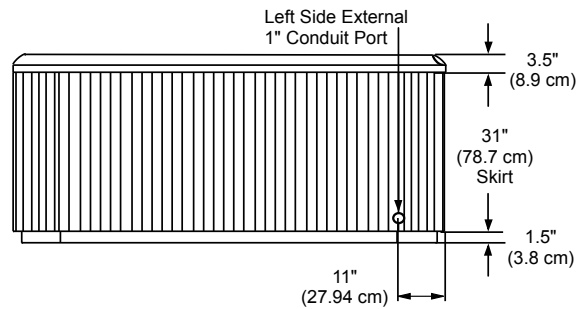
TOP VIEW



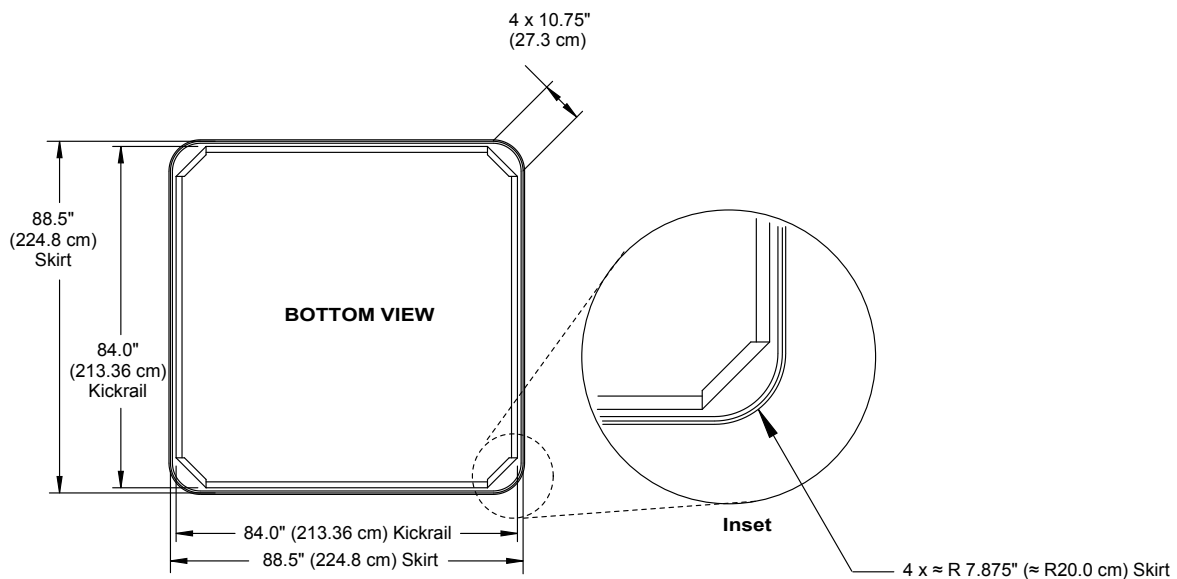
FRONT VIEW
(Front view with stereo option shown)
Tolerance: $\pm 0.5"$ (1.27 cm)



BACK/SIDE VIEW
Tolerance: $\pm 0.5"$ (1.27 cm)



IMPORTANT! Always measure each hot tub for exact dimensions **BEFORE** designing its foundational support and/or decking.



Dimensions/Specifications Subject To Change Without Notice

1-fas 230V C-sikring (treg) til alle modeller

McKinley: For å få mest mulig glede av badet anbefaler vi høyeste kurs for optimal drift.				
	Type varmeelement	Alternativ tilkobling	Funksjon	JP1 Jumper Bank
McKinley	5,5 kW	40 amp eller 16 + 25 amp	Varmeelement og pumper kan brukes samtidig	Over 3-4, 5-6 og 7-8
McKinley	5,5 kW	32 amp	Varmeelementet slår seg av når pumpene settes på høy hastighet. Pumpe 2 har bare høy hastighet.	Over 1-2, 3-4 og 7-8
McKinley	2,7 kW	32 amp eller 16 + 16 amp	Varmeelement og pumper kan brukes samtidig	Over 3-4, 5-6 og 7-8
McKinley	2,7 kW	20 amp	Varmeelementet slår seg av når pumpene settes på høy hastighet. Pumpe 2 har bare høy hastighet.	Over 1-2, 3-4 og 7-8