


2014 Sundance Spas 880 Altamar

Specifications

| | | |
|--|--|---|
| Dimensions: | 81" x 86" x 37.5" (206 cm x 218.5 cm x 95.5 cm) |  |
| Seating Capacity: | 5-6 Adults | |
| Dry Weight: | 875 lbs (397 kg) | |
| Filled Weight (Spa Volume): | 4,878 lbs (2,213 kg) | |
| Filled Weight (Average Fill): | 4,128 lbs (1,872 kg) | |
| Water Capacity (Spa Volume): | 480 US Gal (1,817 Liter) | |
| Water Capacity (Average Fill): | 390 US Gal (1,476 Liter) | |
| Controls: | 880 Series Solid State, LCD User Interface Displays Temperature, Time, Cycles and Fingertip Jet/Air System Control. Offers Customizing of Preprogrammed Filtration Cycles and Water Temperature Setting | |
| Water Delivery: | 2 TheraMax High-Flow Pumps and 8-Hour Dynamic Flow Circulation System | |
| Pump 1: | North America (60 Hz): 1-Speed/2.5 HP Continuous, 11.3A Max., 56 Frame Export (50 Hz): 1-Speed/2.0 HP Continuous, 7.0A Max. | |
| Pump 2: | North America (60 Hz): 1-Speed/2.5 HP Continuous, 11.3A Max., 56 Frame Export (50 Hz): 1-Speed/2.0 HP Continuous, 7.0A Max. | |
| Pump 3: | High Output Dynamic Flow, 8-Hour Filter/Circulation Pump (35 gpm) Programmable for Daily Start Time and Duration | |
| Total Hydrojets: | 41 | |
| Seat A Jets: | 6 Fluidix Reflex Jets, 2 Pulsator, 2 Fluidix Intelli-Jet, 8 Focus-Relief | |
| Seat B Jets: | 2 Fluidix Intelli-Jet | |
| Seat C Jets: | 2 Fluidix Nex, 2 Vortex, 2 Fluidix Intelli-Jet | |
| Seat D Jet: | 1 Vortex | |
| Seat E Jets: | 12 Fluidix ST, 2 Fluidix Nex | |
| Footwell Jets (F): | 2 Whirlpool | |
| Air Blower: | High-Efficiency, 1-Speed | |
| Aromatherapy Delivery: | 8 Air Injector Jets with Quiet High Speed Air Pump | |
| Air Controls/Massage Selectors: | 5/1 (Standard air controls with LED light rings) | |
| Filter: | MICROCLEAN® Ultra Filtration System, 130 ft ² (2 interlocking cartridge filters) | |
| Water Treatment: | Automatic Brominator and Dynamic Flow Circulation System; Factory installed CLEARARRAY® Water Purification System | |
| Lighting: | AquaTerrace Multi-Colored Sunglow LED Lighting System (1 Waterfall, 1 Footwell, 5 Air controls, and 1 Backlit handrail) | |
| Synthetic Cabinet: | Available in Coastal, Mahogany and Autumn Walnut | |
| Shell Colors: | North America (60 Hz): Platinum, Sand, Sahara, Celestite, Oyster, Copper Sand, Sea Mist, Monaco, Midnight, Caribbean Surf Export (50 Hz): All North America Colors | |
| Handrails: | One High Quality Stainless Steel with a backlit LED light | |
| ComforTone Headrests: | Three 2-Part/2-Tone Gray | |
| Heater: | North America (60 Hz): Low Flow 5.5 kW with Titanium Element Export (50 Hz): Low Flow 2.7 kW with Titanium Element | |
| Electrical Requirements: | North America (60 Hz): 240 VAC@40A, 50A or 60A; Export (50 Hz): 230-240 VAC@20A, 30A or 40A; or Suitably Rated Circuit Breaker to Comply with Local Electrical Regulations. Certain Countries may Require 2 Power Inputs; Two GFCI/RCD Breakers are Required for This Configuration. | |
| Limited Warranty*: | North America (60 Hz): 10 Years Shell, 7 Years Shell Surface, 5 Years Plumbing Component Leaks, 5 Years Equipment and Controls, 5 Years Cabinet, 5 Years Jets, 2 Years Lights, 1 Year Stereo Export (50 Hz): 10 Years Shell, 7 Years Shell Surface, 2 Years Plumbing Component Leaks, 2 Years Equipment and Controls, 2 Years Cabinet, 2 Years Jets, 2 Years Lights, 1 Year Stereo | |
| Waterfall Feature: | Adjustable Flow Rate; Colored back-lighting | |
| Special Features: | (Portable Models Only): Optional Factory Installed BLUEWAVE™ Spa Stereo System with Wireless Remote Control, Auxiliary 3.5 mm headphone jack connection, USB connection, FM radio, Bluetooth compatible and integrated docking station | |
| Inground Model: | Not Available | |

*(See Warranty Document for Specific Details)

Dimensions/Specifications Subject To Change Without Notice

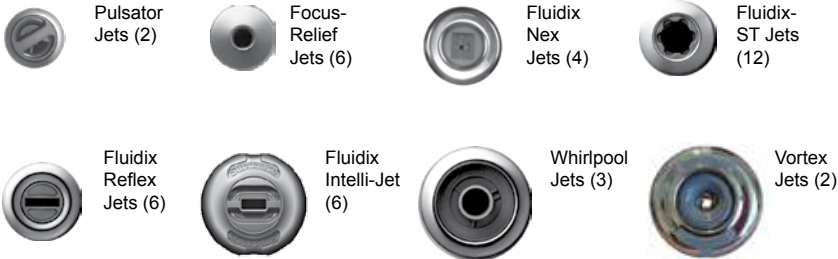
2014 Sundance Spas 880 Altamar

Operation/New Features



- (A)** Air Control - Activates Seat A Jets (6 Fluidix Reflex, 2 Pulsator, 2 Fluidix Intelli-Jet)
- (B)** Sunscents Dispenser
- (C)** Air Control - Activates Seat B Jets (2 Fluidix Intelli-Jet) + Seat A Jets (2 Fluidix Nex, 2 Vortex, 2 Fluidix Intelli-Jet)
- (D)** Air Control - Activates Seat D Jet (1 Whirlpool) + Footwell Jets (2 Whirlpool)
- (E)** Waterfall Selector [8-Hour Circ. Pump] - Controls Waterfall Output
- (F)** Air Control - Activates Lower Six Seat E Jets (6 Fluidix-ST)
- (G)** Air Control - Activates Upper Eight Seat E Jets (2 Fluidix Nex, 6 Fluidix-ST)
- (H)** Massage Selector [Pump 2] - Adjusts Massage Level Between Seat B Jets + Seat E Jets and Seat D Jet + Footwell Whirlpool Jets

41 Total Jets



- Jets Pump 1: Seat A Jets + Seat C Jets are always on when this pump is running.
- Focus-Relief Jets: Work with both the blower and Jets Pump 2. The blower introduces air to the jet and the Jets Pump forces water through.

Spa Operation Subject To Change Without Notice

NEW FOR 2014!



New Color - Caribbean Surf



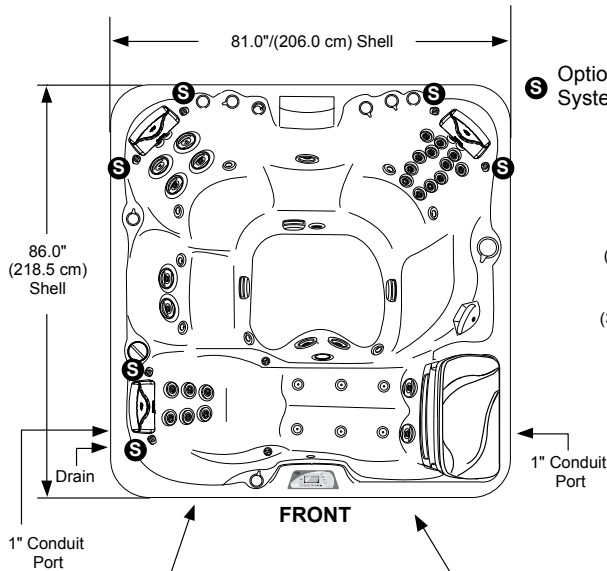
New Color - Midnight

Dimensions/Specifications Subject To Change Without Notice

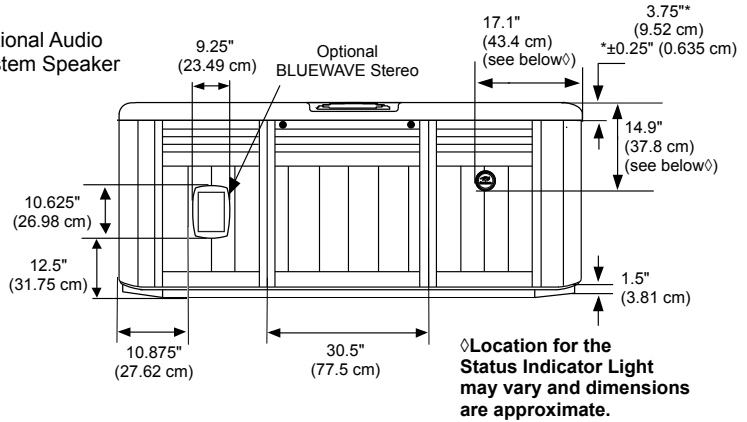
2014 Sundance Spas 880 Altamar

Portable Dimensions

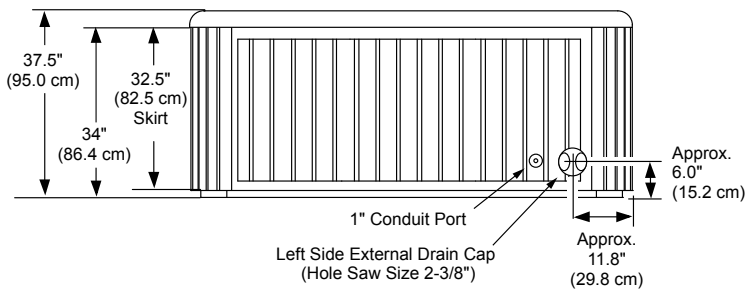
TOP VIEW



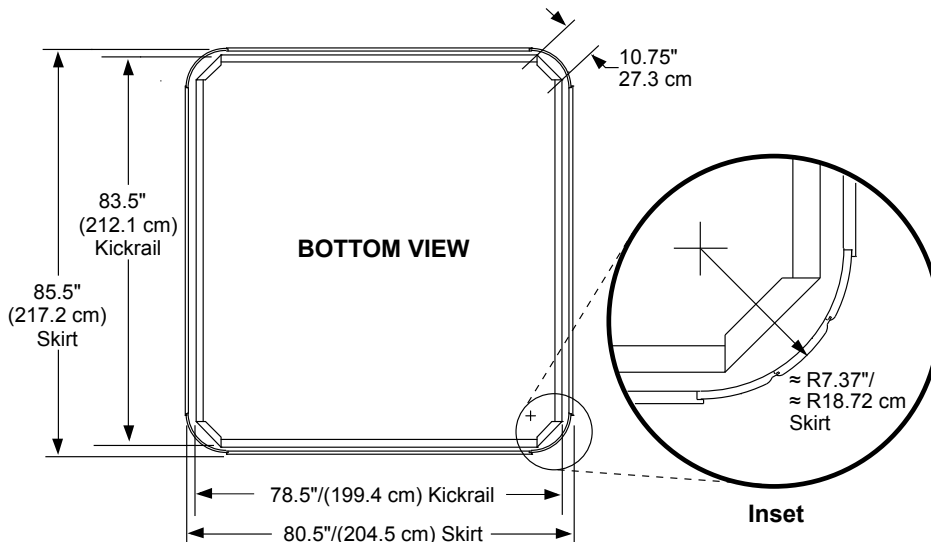
FRONT/BACK VIEW
(Front view with stereo option shown)
Tolerance: $\pm 0.5"$ (1.27 cm)



LEFT/RIGHT SIDE VIEW
(Left Side View Shown)
Tolerance: $\pm 0.5"$ (1.27 cm)



IMPORTANT! Always measure each hot tub for exact dimensions BEFORE designing its foundational support and/or decking.



Dimensions/specifications subject to change without notice. Tolerance: $\pm 0.5"$ (1.27 cm)

Dimensions/Specifications Subject To Change Without Notice