

2014 Sundance Spas 880 Capri Specifications

Dimensions:	69" x 82" x 30.5" (175.5 cm x 208.5 cm x 77.5 cm)	
Seating Capacity:	2-3 Adults	
Dry Weight:	635 lbs (288 kg)	
Filled Weight (Spa Volume):	3,262 lbs (1,480 kg)	
Filled Weight (Average Fill):	2,553 lbs (1,158 kg)	
Water Capacity (Total Volume):	315 US Gal (1,192 Liters)	
Water Capacity (Average Fill):	230 US Gal (871 Liters)	
Controls:	880 Series Solid State, LCD User Interface Displays Temperature, Time, Cycles, and Fingertip Jet/Air System Control. Offers Customizing of Preprogrammed Filtration Cycles and Water Temperature Setting	
Water Delivery:	1 TheraMax High-Flow Pump and 8-Hour Dynamic Flow Circulation System	
Pump 1:	North America (60 Hz): 1-Speed/2.5 HP Continuous, 11.3A Max., 56 Frame Export (50 Hz): 1-Speed/2.0 HP Continuous, 7.0A Max.	
Pump 2:	High Output Dynamic Flow, 8-Hour Filter/Circulation Pump (35 gpm), Programmable for Daily Start Time and Duration	
Total Hydrojets:	31	
Seat A Jets:	6 Fluidix Reflex, 2 Pulsator, 4 Focus-Relief, 4 Accu-Pressure	
Seat B Jets:	10 Fluidix ST, 2 Fluidix Nex	
Seat C Jets:	1 Vortex, 2 Fluidix Intelli-Jet	
Air Blower:	High-Efficiency, 1-Speed	
Aromatherapy Delivery:	8 Air Injector Jets with Quiet High Speed Air Pump	
Air Controls/Massage Selectors:	2/1	
Filter:	MICROCLEAN® Ultra Filtration System, 130 ft² (2 interlocking cartridge filters)	
Water Treatment:	Automatic Brominator and Dynamic Flow Circulation System; Factory installed CLEARARRAY® Water Purification System	
Lighting:	AquaTerrace Multi-Colored Sunglow LED Lighting System	
Synthetic Cabinet:	Available in Coastal, Mahogany and Autumn Walnut	
Shell Colors:	North America: Platinum, Sand, Sahara, Celestite, Oyster, Copper Sand, Sea Mist, Monaco Export: All North America Colors	
Handrails:	1 Integral	
ComforTone Headrests:	Three 2-Part/2-Tone Gray, Bolt-on	
Heater:	North America (60 Hz): Low Flow 5.5 kW with Titanium Element Export (50 Hz): Low Flow 2.7 kW with Titanium Element	
Electrical Requirements:	North America (60 Hz): 240 VAC@40A or 50A; Export (50 Hz): 230-240 VAC@20A or 30A; or Suitably Rated Circuit Breaker to Comply with Local Electrical Regulations. Certain Countries May Require Dual Power Inputs; Two GFCI/RCD Breakers are Required for This Configuration.	
Limited Warranty*:	North America (60 Hz): 10 Years Shell, 7 Years Shell Surface, 5 Years Plumbing Component Leaks, 5 Years Equipment and Controls, 5 Years Cabinet, 5 Years Jets, 2 Years Lights, 1 Year Stereo Export (50 Hz): 10 Years Shell, 7 Years Shell Surface, 2 Years Plumbing Component Leaks, 2 Years Equipment and Controls, 2 Years Cabinet, 2 Years Jets, 2 Years Lights, 1 Year Stereo	
Waterfall Feature:	Adjustable Flow Rate; Colored back-lighting	
Special Features:	Optional Factory Installed BLUEWAVE™ Spa Stereo System with Wireless Remote Control, Auxiliary 3.5 mm headphone jack connection, USB connection, FM radio, Bluetooth compatible and integrated docking station	
Inground Model:	N/A	

*(See Warranty Document for Specific Details)

Dimensions/Specifications Subject To Change Without Notice

2014 Sundance Spas 880 Capri

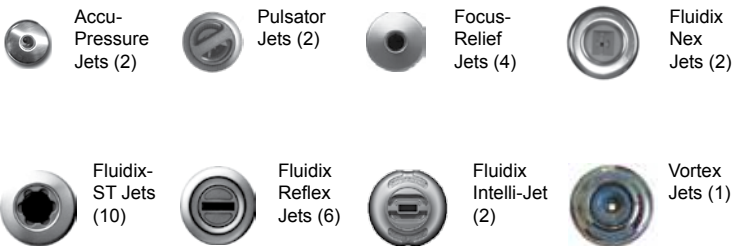
Operation/New Features



- (A)** Air Control - Activates Seat A Jets (6 Fluidix Reflex, 2 Pulsator, 4 Focus Relief, 4 Accu-Pressure)
- (B)** Massage Selector - Adjusts Massage Level Between Seat A Jets and Seat C Jets + Seat B Jets
- (C)** Air Control - Activates Seat B Jets (2 Fluidix Nex, 10 Fluidix-ST) and Seat C Jets (1 Vortex, 2 Fluidix Intelli-Jet)
- (D)** Waterfall Selector [8-Hour Circ. Pump] - Controls Waterfall Output
- (E)** Sunscents Dispenser

- Focus-Relief Jets: Work with both the blower and Jets Pump 2. The blower introduces air to the jet and the Jets Pump forces water through.

31 Total Jets



Spa Operation Subject To Change Without Notice

NEW FOR 2014!



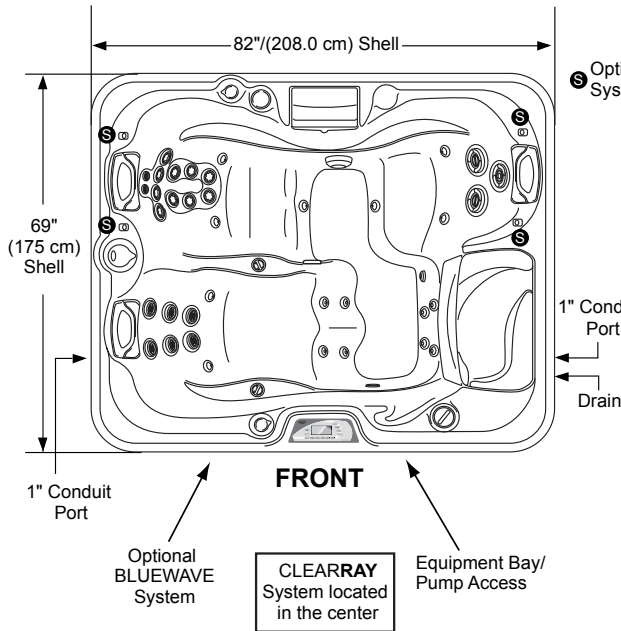
New Color - Monaco

Dimensions/Specifications Subject To Change Without Notice

2014 Sundance Spas 880 Capri

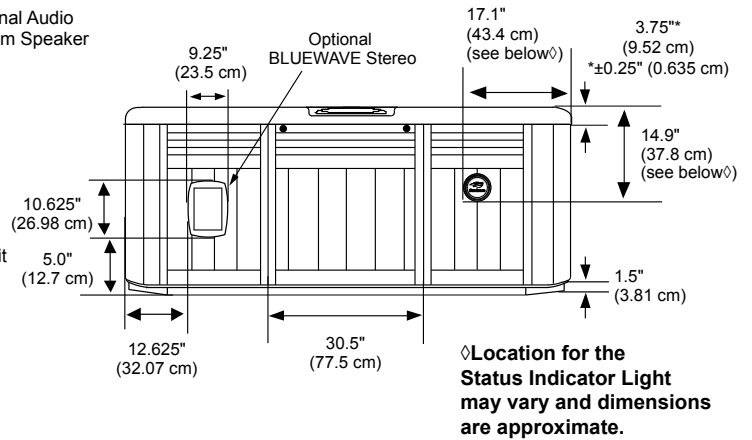
Portable Dimensions

TOP VIEW



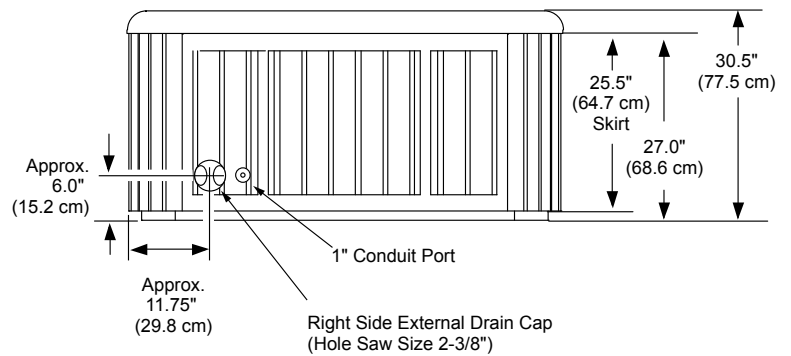
FRONT/BACK VIEW
(Front view with stereo option shown)

Tolerance: $\pm 0.5"$ (1.27 cm)

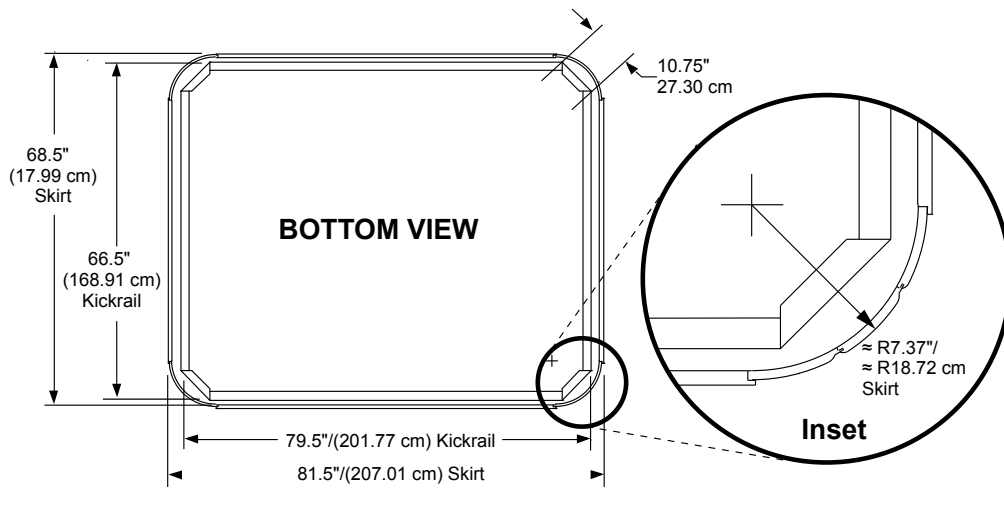


LEFT/RIGHT SIDE VIEW

Tolerance: $\pm 0.5"$ (1.27 cm)



IMPORTANT! Always measure each hot tub for exact dimensions BEFORE designing its foundational support and/or decking.



Dimensions/specifications subject to change without notice. Tolerance: $\pm 0.5"$ (1.27 cm)

Dimensions/Specifications Subject To Change Without Notice