

2014 Sundance Spas 880 Maxxus

Specifications

Dimensions:	90" x 110" x 41.5" (229 cm x 279.5 cm x 105.5 cm)	
Seating Capacity:	6 Adults	
Dry Weight:	1,261 lbs (572 kg)	
Filled Weight (Spa Volume):	7,099 lbs (3,220 kg)	
Filled Weight (Average Fill):	6,015 lbs (2,728 kg)	
Water Capacity (Spa Volume):	700 US Gal (2,650 Liters)	
Water Capacity (Average Fill):	570 US Gal (2,158 Liters)	
Controls:	880 Series Solid State, LCD User Interface Displays Temperature, Time, Cycles and Fingertip Jet/Air System Control. Offers Customizing of Preprogrammed Filtration Cycles and Water Temperature Setting	
Water Delivery:	3 TheraMax High-Flow Pumps and 8-Hour Dynamic Flow Circulation System	
Pump 1:	North America (60 Hz): 1-Speed/2.5 HP Continuous, 11.3A Max., 56 Frame Export (50 Hz): 1-Speed/2.0 HP Continuous, 7A Max.	
Pump 2:	North America (60 Hz): 1-Speed/2.5 HP Continuous, 11.3A Max., 56 Frame Export (50 Hz): 1-Speed/2.0 HP Continuous, 7A Max.	
Pump 3:	North America (60 Hz): 1-Speed/2.5 HP Continuous, 11.3A Max., 56 Frame Export (50 Hz): 1-Speed/2.0 HP Continuous, 7A Max.	
Pump 4:	High-Output Dynamic Flow, 8-Hour Filter/Circulation Pump (35 gpm) Programmable for Daily Start Time and Duration	
Total Hydrojets:	65	
Seat A Jets:	2 Fluidix Intelli-Jet, 2 Fluidix Nex, 2 Pulsator, 8 Focus-Relief, 3 Vortex	
Seat B Jets:	12 Fluidix-ST, 2 Fluidix Nex, 2 Pulsator, 4 Accu-Pressure, 1 Whirlpool (sidewall)	
Seat C Jets:	6 Fluidix Reflex, 2 Fluidix Nex, 2 Pulsator, 2 Accu-Pressure	
Seat D Jets:	4 Vortex, 2 Fluidix Nex, 1 Whirlpool (sidewall)	
Footwell Jets (E):	8 Accu-Pressure	
Air Blower:	High-efficiency, 1-Speed	
Aromatherapy Delivery:	6 Silent Air® Injector Jets with Quiet High Speed Air Pump	
Air Controls/Massage Selectors:	8/2 (Standard Air controls with LED light rings)	
Filter:	MICROCLEAN® Ultra Filtration System, 130 ft² (2 interlocking cartridge filters)	
Water Treatment:	Automatic Brominator and Dynamic Flow Circulation System; Factory installed CLEARRAY® Water Purification System	
Lighting:	AquaTerrace Multicolored Sunglow LED Lighting System (2 Waterfall, 2 Footwell, 8 Air controls, 2 Backlit handrails)	
Synthetic Cabinet:	Available in Coastal, Mahogany, Autumn Walnut	
Shell Colors:	Platinum, Sahara, Copper Sand, Celestite (Gypsum), Monaco	
Handrails:	Two High Quality Stainless Steel with backlit LED lighting	
ComfortTone Headrests:	Four 2-Part/2-Tone Gray	
Heater:	Low Flow 5.5 kW With Titanium Element Export (50 Hz): Low Flow 5.5 kW with Titanium Element	
Electrical Requirements:	North America (60 Hz): 240 VAC@50A or 60A; Export (50 Hz): 230-240 VAC@40A, 50A or 60A; or Suitable Rated Circuit Breaker To Comply With Local Electrical Regulations. Certain Countries May Require 2 Power Inputs; Two GFCI/RCD Breakers are Required For This Configuration.	
Limited Warranty*:	North America (60 Hz): 10 Years Shell, 7 Years Shell Surface, 5 Years Plumbing Component Leaks, 5 Years Equipment and Controls, 5 Years Cabinet, 5 Years Jets, 2 Years Lights, 1 Year Stereo Export (50 Hz): 10 Years Shell, 7 Years Shell Surface, 2 Years Plumbing Component Leaks, 2 Years Equipment and Controls, 2 Years Cabinet, 2 Years Jets, 2 Years Lights, 1 Year Stereo	
Waterfall Feature:	Adjustable Flow Rate; Colored Back-Lighting	
Special Features:	Optional Factory Installed BLUEWAVE™ Spa Stereo System with Wireless Remote Control, Auxiliary 3.5 mm headphone jack connection, USB connection, FM radio, Bluetooth compatible and integrated docking station	
Inground Model:	Not Available	

*(See Warranty Document for Specific Details)

Dimensions/Specifications Subject To Change Without Notice

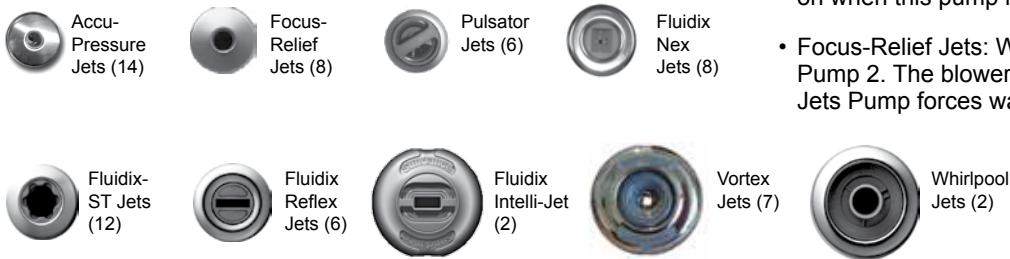
2014 Sundance Spas 880 Maxxus

Operation/New Features



- (A)** Air Control - Activates Seat A Jets (2 Fluidix Intelli-Jet, 2 Fluidix Nex, 2 Pulsators, 3 Vortex)
- (B)** Massage Selector [Pump 2] - Adjusts Massage Level Between Seat A Jets and Seat D Jets
- (C)** Massage Selector [Pump 3] - Adjusts Massage Level Between the Seat B Jets + both Wrist Jets and Lower 4 Accu-Pressure Jets + both Side Wall Whirlpool Jets
- (D)** Air Control - Activates Mid Seat B Jets (6 Fluidix-ST, 2 Pulsators)
- (E)** Air Control - Activates Upper Seat B Jets (2 Fluidix Nex and 6 Fluidix-ST)
- (F)** Air Control - Activates Lower Seat B Jets (4 Accu-Pressure) and Side Wall 1 Whirlpool Jet
- (G)** Air Control - Activates Center Footwell Jets (8 Accu-Pressure)
- (H)** Waterfall Selector [8-Hour Circ. Pump] - Controls Waterfall Output
- (I)** Air Control - Activates Seat C Jets (2 Fluidix Nex, 2 Pulsators, 6 Fluidix Reflex, 2 Accu-Pressure)
- (J)** SunScents Dispenser
- (K)** Air Control - Activates Side Wall 2 Whirlpool Jet in Seat D
- (L)** Air Control - Activates Seat D Jets (4 Vortex, 2 Fluidix Nex)

65 Total Jets



- Jets Pump 1: Seat C Jets and Footwell Jets are always on when this pump is running
- Focus-Relief Jets: Work with both the blower and Jets Pump 2. The blower introduces air to the jet and the Jets Pump forces water through.

Spa Operation Subject To Change Without Notice

NEW FOR 2014!



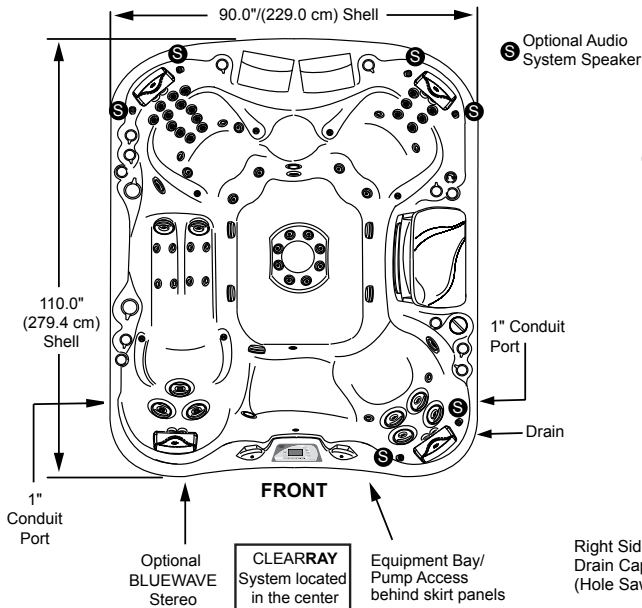
New Color - Monaco

Dimensions/Specifications Subject To Change Without Notice

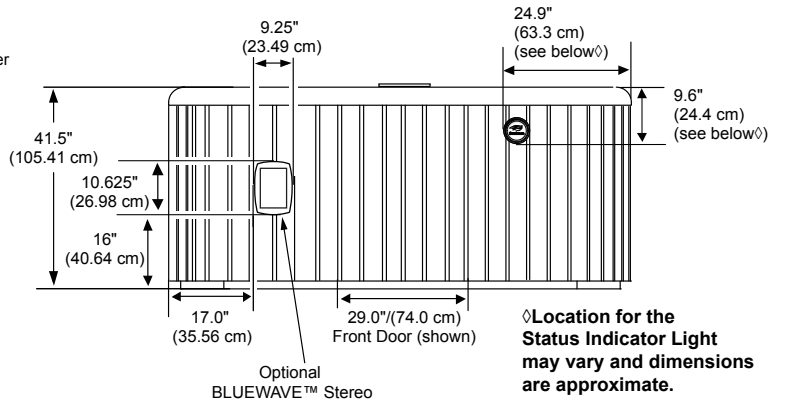
2014 Sundance Spas 880 Maxxus

Portable Dimensions

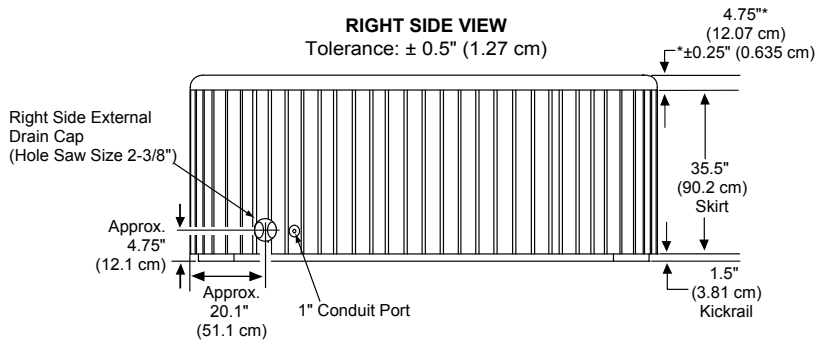
TOP VIEW



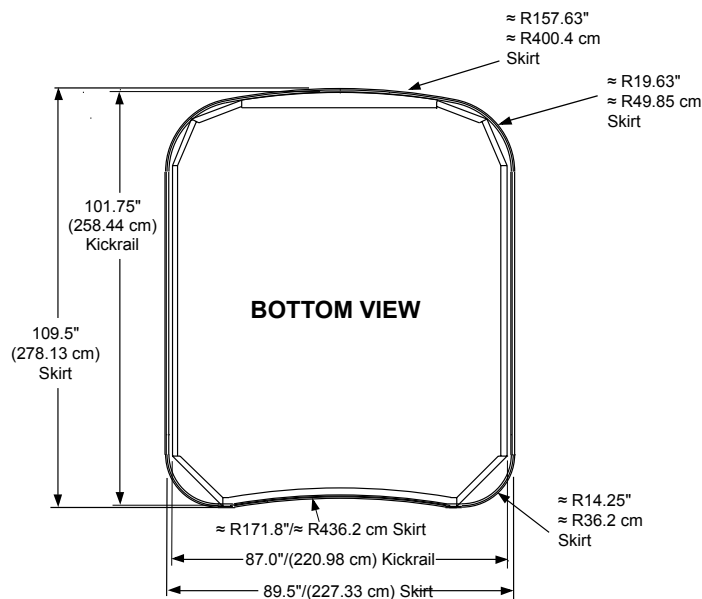
FRONT/BACK VIEW
(Front view with stereo option shown)
Tolerance: $\pm 0.5"$ (1.27 cm)



RIGHT SIDE VIEW
Tolerance: $\pm 0.5"$ (1.27 cm)



IMPORTANT! Always measure each hot tub for exact dimensions BEFORE designing its foundational support and/or decking.



Dimensions/specifications subject to change without notice. Tolerance: $\pm 0.5"$ (1.27 cm)

Dimensions/Specifications Subject To Change Without Notice