

# Sundance® Spas 780™ Hamilton™

## Specifications

<b>Dimensions:</b> .....	89" x 89" x 36" (226 cm x 226 cm x 91.44 cm)	
<b>Perimeter</b> .....	356" (904.2 cm)	
<b>Seating Capacity:</b> .....	5-6 Adults	
<b>Dry Weight:</b> .....	826 lbs (375 kg)	
<b>Filled Weight (Spa Volume):</b> .....	4,996 lbs (2,266 kg)	
<b>Filled Weight (Average Fill):</b> .....	4,104 lbs (1,861 kg)	
<b>Water Capacity (Spa Volume):</b> .....	500 US Gal. (1,893 Liters)	
<b>Water Capacity (Average Fill):</b> .....	393 US Gal. (1,488 Liters)	
<b>Controls:</b> .....	780 Series Solid-State Electronic Controls with LCD Readout Programmable Water Temperature, Filtration, and Heat Cycles	
<b>Water Delivery:</b> .....	2 High Flow Pumps	
<b>Pump 1:</b> .....	North America (60 Hz): 1-Speed/2.5 HP Continuous, 12.0A Max. <b>Export (50 Hz): 1-Speed/2.0 HP Continuous, 8.0A Max.</b>	
<b>Pump 2:</b> .....	North America (60 Hz): 1-Speed/2.5 HP Continuous, 11.0A Max. <b>Export (50 Hz): 1-Speed/2.0 HP Continuous, 7.0A Max</b>	
<b>Pump 3:</b> .....	24 Hour Programmable Circ Pump, 8 Hour Factory Default	
<b>Total Hydrojets:</b> .....	<b>41</b>	
<b>Seat A Jets:</b> .....	4 Vortex Mini, 2 Vortex	
<b>Seat B Jets:</b> .....	2 SMT Fluidix	
<b>Seat C Jets:</b> .....	2 SMT Micro, 2 Vortex Mini, 6 SMT Fluidix, 6 Adjustable Accu-Pressure	
<b>Seat D Jets:</b> .....	2 Vortex	
<b>Seat E Jets:</b> .....	9 Accu-Pressure, 4 SMT Micro	
<b>Footwell Jet (F):</b> .....	2 Vortex Mini	
<b>Air Controls/Massage Selectors:</b> .....	3/1 Standard air control with LED lights	
<b>Filter:</b> .....	MicroClean® I Filtration System with Floating Weir, 125 ft <sup>2</sup> combined filtration (1 pleated and 1 spun-bound cartridge)	
<b>Water Treatment:</b> .....	8-Hour Circulation Pump; Factory installed CLEARARRAY Active Oxygen™ Clear Water System	
<b>Lighting:</b> .....	Standard Multi-Colored SunRay LED Light; 6 LED Pin lights; Indicator light; Air controls	
<b>Synthetic Cabinet:</b> .....	Available in Coastal, Mahogany, Autumn Walnut	
<b>Shell Colors:</b> .....	North America: Platinum, Celestite (Gypsum), Monaco, Midnight, Porcelain <b>Export (50 Hz): All North America Colors</b>	
<b>Handrails:</b> .....	N/A	
<b>Headrests:</b> .....	Three, 1-Piece Gray	
<b>Heater:</b> .....	North America (60 Hz): 5.5 kW, High Flow <b>Export (50 Hz): High Flow, 2.7 kW</b>	
<b>Electrical Requirements:</b> .....	North America (60 Hz): 240 VAC@40A, 50A, or 60A; <b>Export (50 Hz): 230-240 VAC@1x20A, 1x16A/1x20A, or 3x16A (see manual for more configurations); or Suitably Rated Circuit Breaker to Comply with Local Electrical Regulations. Certain Countries May Require 2 Power Inputs; Two GFCI/RCD Breakers are Required for This Configuration.</b>	
<b>Limited Warranty*:</b> .....	North America (60 Hz): 10 Years Shell, 7 Years Shell Surface, 5 Years for Plumbing Component Leaks, 5 Years Equipment and Controls, 5 Years Cabinet, 2 Years Jets, 2 Years Lights, 1 Year Stereo <b>Export (50 Hz): 10 Years Shell, 7 Years Shell Surface, 5 Years Plumbing, 5 Years Equipment and Controls, 5 Years Cabinet, 2 Years Jets, 2 Years Lights, 2 Years Stereo</b>	
<b>Waterfall Feature:</b> .....	On/Off Flow Rate; Colored Lighting	
<b>Audio System (Optional):</b> .....	Factory Installed BLUEWAVE® Spa Stereo System with an Auxiliary 3.5 mm headphone jack connection and Bluetooth® compatible	
<b>Special Features (Optional):</b> .....	Factory Installed SmartTub® module	

\*(See Warranty Document for Specific Details)

Dimensions/Specifications Subject To Change Without Notice

# Sundance Spas 780 Hamilton

## Operation/Seat Depths



- (A)** Air Control - Activates Seat A Jets (2 Vortex, 4 Vortex Mini) + Seat B Jet (2 SMT Fluidix) + Seat D (2 Vortex) + Footwell Jets (2 Vortex Mini)
- (B)** Air Control - Activates Seat C Jets (2 SMT Micro, 2 Vortex Mini, 6 SMT Fluidix, 6 Adjustable Accu-Pressure)
- (C)** Massage Selector [Pump 1]- Adjusts Massage Level Between Seat C Jets and Seat E Jets
- (D)** Air Control - Activates Seat E Jets (2 SMT Micro, 9 Accu-Pressure)
- (E)** Waterfall Selector [8-Hour Circ. Pump] - Controls Waterfall Output

• Jets Pump 2: Seat A Jets + Seat B Jets + Seat D Jets + Footwell Jets are always on when this pump is running

### 41 Total Jets (Stainless Steel Escutcheons Standard)



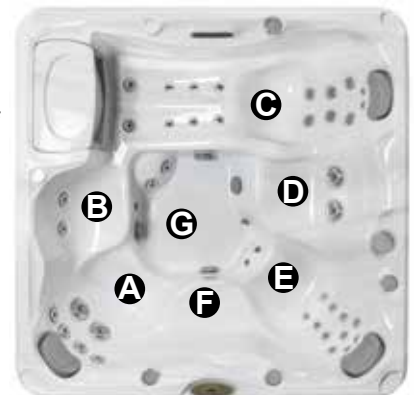
Spa Operation Subject To Change Without Notice

## SEAT DEPTHS

**A = 27.25" (69.22 cm)**  
**B = 20.50" (52.07 cm)**  
**C = 25.50" (64.77 cm)**  
**D = 22.75" (57.79 cm)**

**E = 27.25" (69.22 cm)**  
**F = 18.25" (46.36 cm)**  
**G = 32.50" (82.55 cm)**

Listed dimensions represent distance from top of acrylic to lowest point in seat. Tolerance  $\pm 0.5"$  (1.27 cm).

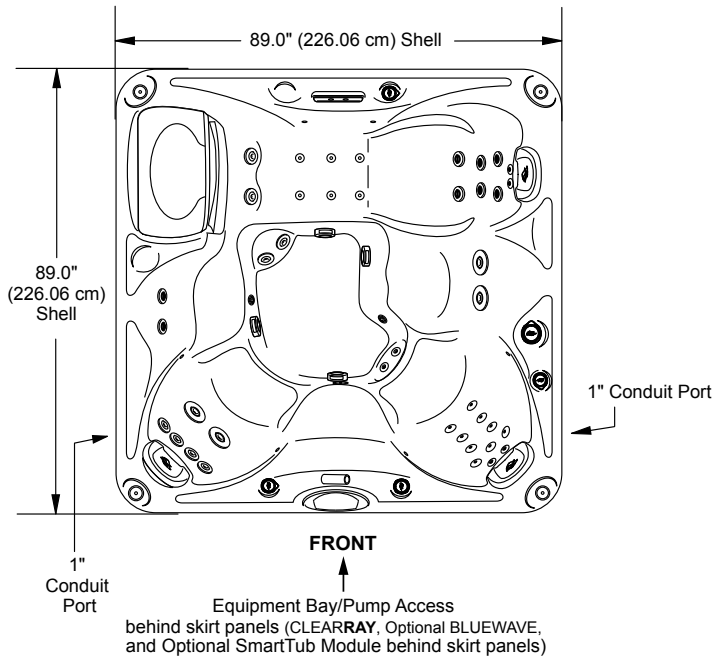


Dimensions/Specifications Subject To Change Without Notice

# Sundance Spas 780 Hamilton

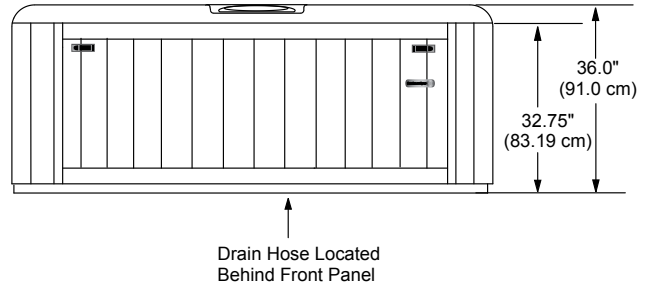
## Portable Dimensions

**TOP VIEW**



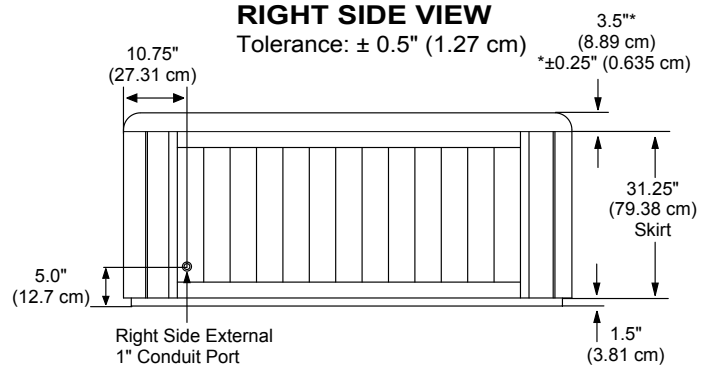
**FRONT/BACK SIDE VIEW**

Tolerance:  $\pm 0.5"$  (1.27 cm)

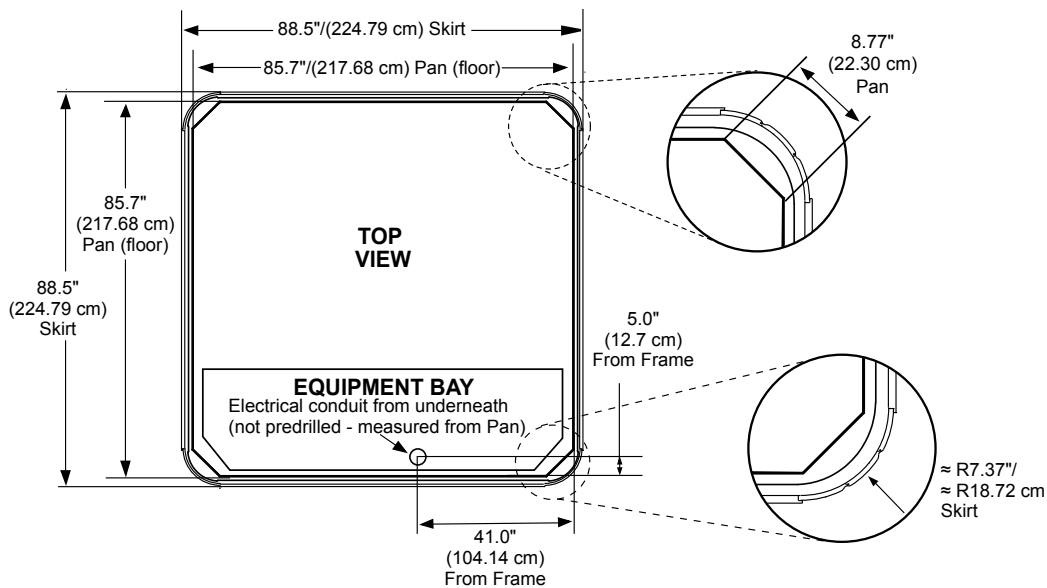


**RIGHT SIDE VIEW**

Tolerance:  $\pm 0.5"$  (1.27 cm)



**IMPORTANT! Always measure each hot tub for exact dimensions BEFORE designing its foundational support and/or decking.**



Dimensions/specifications subject to change without notice. Tolerance:  $\pm 0.5"$  (1.27 cm)

Dimensions/Specifications Subject To Change Without Notice