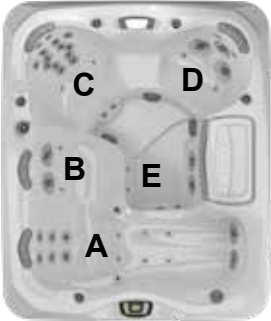


Sundance® Spas 880 Marin®

Specifications

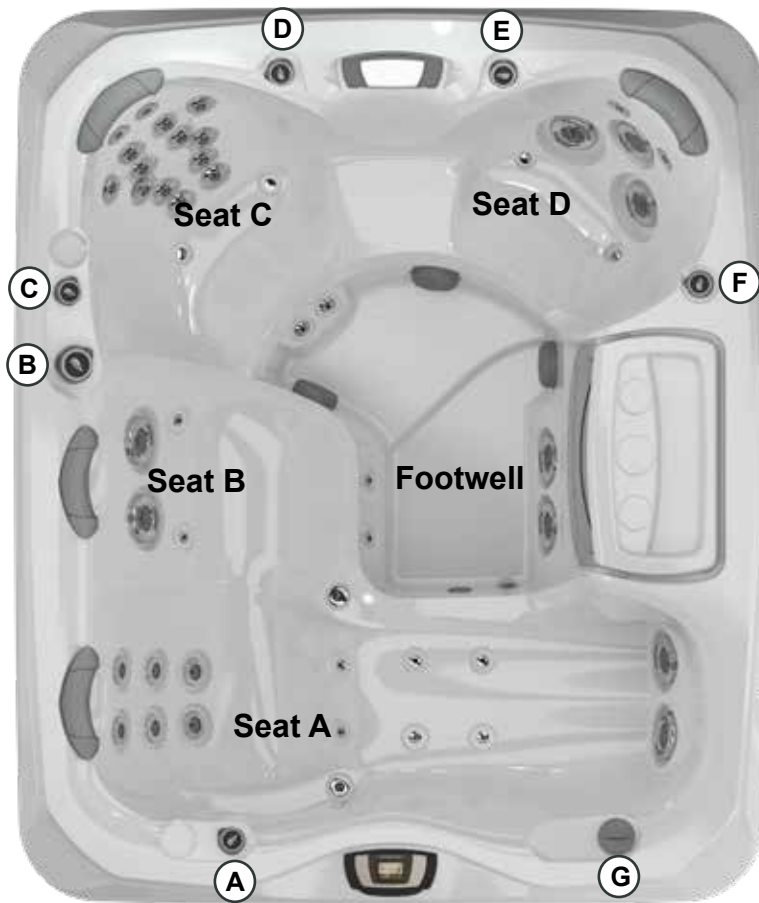
Dimensions:	76" x 91" x 34" (193.04 cm x 231 cm x 86.36 cm)	
Perimeter	334" (848.4 cm)	
Seating Capacity:	4-5 Adults	
Dry Weight:	803 lbs (364.23 kg)	
Filled Weight (Spa Volume):	4,222 lbs (1,915 kg)	
Filled Weight (Average Fill):	3,472 lbs (1,575 kg)	
Water Capacity (Spa Volume):	410 US Gal (1,552 Liters)	
Water Capacity (Average Fill):	320 US Gal (1,211 Liters)	
Controls:	880 iTouch Interface LCD Control, Displays Temperature, Time, Cycles and Jet/Air System Control. Offers Customizing of Filtration Cycles, Lighting, Water Temperature Setting and other features	
Water Delivery:	2 TheraMax High-Flow Pumps and 8-Hour Dynamic Flow Circulation System	
Pump 1:	North America (60 Hz): 1-Speed/2.5 HP Continuous, 11.3A Max., 56 Frame Export (50 Hz): 1-Speed/2.0 HP Continuous, 7.0A Max.	
Pump 2:	North America (60 Hz): 1-Speed/2.5 HP Continuous, 11.3A Max., 56 Frame Export (50 Hz): 1-Speed/2.0 HP Continuous, 7.0A Max.	
Pump 3:	High Output Dynamic Flow, 24-Hour programmable, factory default set to 8-Hour Filter/Circulation Pump (35 gpm) Programmable for Daily Start Time and Duration	
Total Hydrojets:	45	
Seat A Jets:	6 Fluidix Reflex, 2 Vortex, 2 Pulsator, 6 Focus-Relief®	
Seat B Jets:	2 Vortex, 4 Focus-Relief	
Seat C Jets:	2 Fluidix Nex, 12 Fluidix ST, 2 Accu-Pressure	
Seat D Jets:	2 Fluidix Nex, 1 Vortex, 2 Fluidix Intelli-Jet	
Footwell Jets (E):	2 Vortex	
Air Blower:	High-Efficiency, 1-Speed	
Aromatherapy Delivery:	4 Air Injector Jets with Quiet High Speed Air Pump	
Air Controls/Massage Selectors:	4/1 (Standard air control with LED lights and massage selector with LED lights)	
Filter:	MicroClean® Ultra Filtration System, 130 ft² (2 interlocking cartridge filters)	
Water Treatment:	Automatic Brominator and Dynamic Flow Circulation System; Factory installed CLEARRAY Active Oxygen™ Clear Water System	
Lighting:	Multi-Colored LED Lighting System (1 Waterfall, 1 Main Light, 4 Air controls, 1 Massage Selector, Exterior lights)	
Skirt Cabinet (SunSide™):	Modern Hardwood, Brushed Gray and Vintage Oak (Equipped with Standard Exterior Lights)	
Shell Colors:	North America: Platinum, Celestite (Gypsum), Monaco, Midnight, Porcelain Export (50 Hz): All North America Colors	
Handrails:	None	
Headrests:	Four, 1-Piece Gray	
Heater:	North America (60 Hz): Low Flow 5.5 kW with Titanium Element Export (50 Hz): Low Flow 2.7 kW with Titanium Element	
Electrical Requirements:	North America (60 Hz): 240 VAC@40A, 50A or 60A; Export (50 Hz): 230-240 VAC@1x40A or 1x16A/1x32A, 1x20A/1x16A, 3x16A (see manual for more configurations); or Suitably Rated Circuit Breaker to Comply with Local Electrical Regulations. Certain Countries May Require 2 Power Inputs; Two GFCI/RCD Breakers are Required for This Configuration.	
Limited Warranty*:	North America (60 Hz): 10 Years Shell, 7 Years Shell Surface, 5 Years Plumbing Component Leaks, 5 Years Equipment and Controls, 5 Years Cabinet, 5 Years Jets, 2 Years Lights, 1 Year Stereo Export (50 Hz): 10 Years Shell, 7 Years Shell Surface, 5 Years Plumbing Component Leaks, 5 Years Equipment and Controls, 5 Years Cabinet, 5 Years Jets, 2 Years Lights, 2 Years Stereo	
Waterfall Feature:	Adjustable Flow Rate; Colored Lighting	
Audio System (Optional):	Factory Installed BLUEWAVE® 2.0 Wireless Spa Stereo System with Auxiliary 3.5 mm headphone jack connection, Bluetooth® compatible, 4 premium speakers and a powered subwoofer	
Special Features:	MicroClean® Plus Versatile Filter Lid, Optional Filter Lid Pillow seat, Optional (Factory Installed) SmartTub® Module	

*(See Warranty Document for Specific Details)

Dimensions/Specifications Subject To Change Without Notice

Sundance Spas 880 Marin

Operation/Seat Depths



- (A)** Air Control - Activates Seat A Jets (6 Fluidix Reflex, 2 Pulsator, 2 Vortex)
- (B)** Massage Selector [Pump 2] - Adjusts Massage Level Between Seat A Jets and Seat C Jets
- (C)** Air Control - Activates Seat C Upper 8 Jets (2 Fluidix Nex, 6 Fluidix ST)
- (D)** Air Control - Activates Seat C Lower 8 Jets (6 Fluidix-ST, 2- Accu-Pressure)
- (E)** Waterfall Selector [8-Hour Circ. Pump] - Controls Waterfall Output
- (F)** Air Control - Activates Seat B Jets (2 Vortex) + Seat D Jets (2 Fluidix Nex, 1 Vortex, 2 Fluidix Intelli-Jet) + Footwell Jets (2 Vortex)
- (G)** Sunscents Dispenser

- Jets Pump 1: Seat B Jets + Seat D Jets + Footwell Jets are always on when this pump is running
- Focus-Relief Jets: Work with both the blower and Jets Pump 2. The blower introduces air to the jet and the Jets Pump forces water through.

45 Total Jets



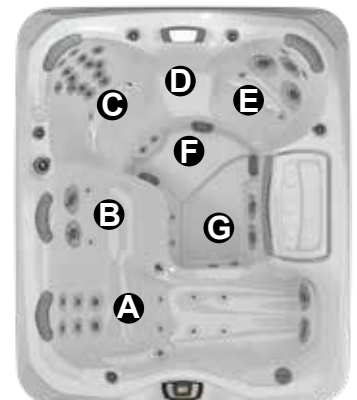
Spa Operation Subject To Change Without Notice

SEAT DEPTHS

- A = 25.75" (65.40 cm)**
- B = 24.50" (62.23 cm)**
- C = 27.75" (70.48 cm)**
- D = 22.00" (55.88 cm)**
- E = 25.50" (64.77 cm)**
- F = 29.50" (74.93 cm)**

G = 31.25" (79.37 cm)

Listed dimensions represent distance from top of acrylic to lowest point in seat. **Tolerance ± 0.5" (1.27 cm).**

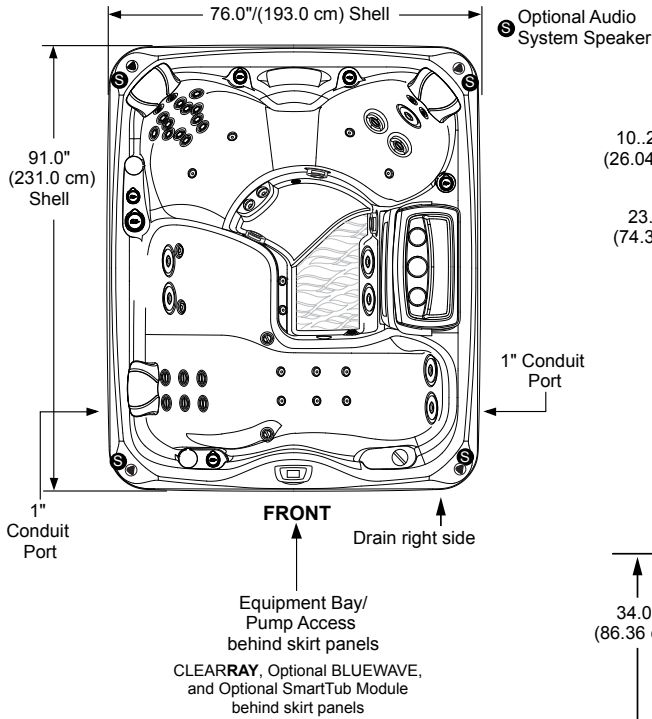


Dimensions/Specifications Subject To Change Without Notice

Sundance Spas 880 Marin

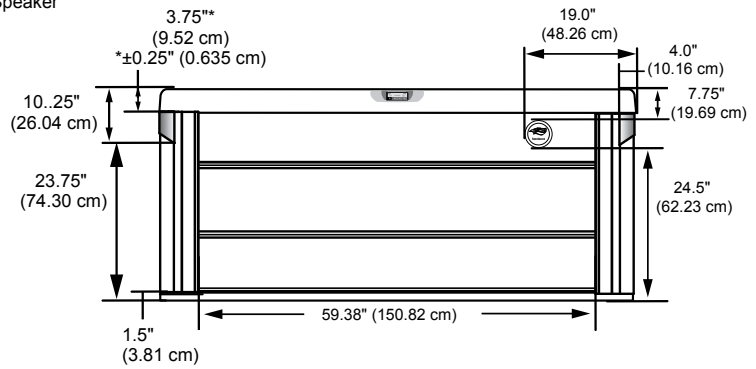
Portable Dimensions

TOP VIEW



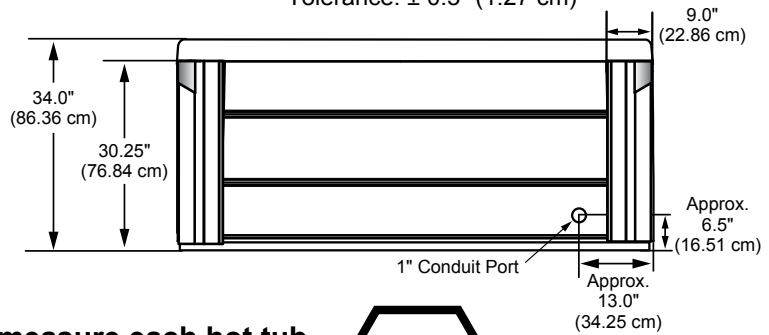
FRONT/BACK VIEW

Tolerance: $\pm 0.5"$ (1.27 cm)

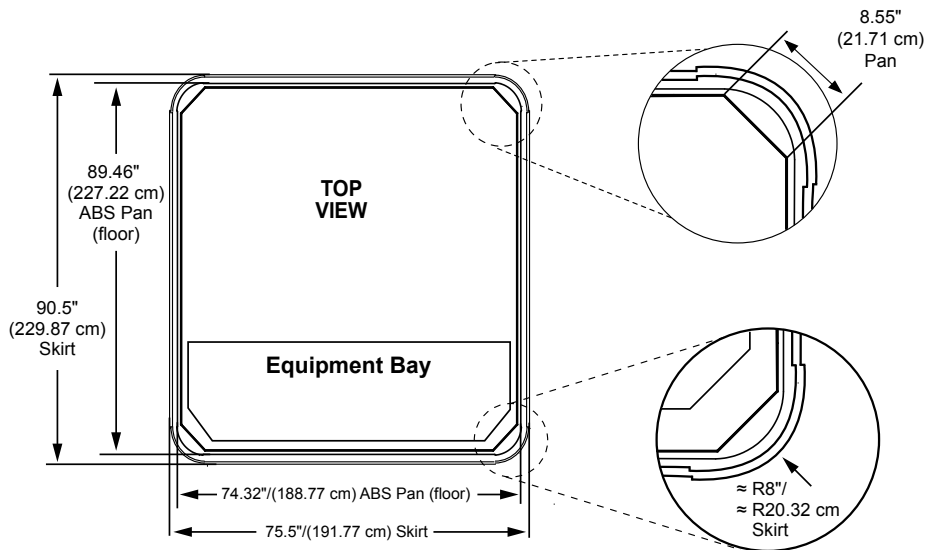


**LEFT/RIGHT SIDE VIEW
(Left Side View Shown)**

Tolerance: $\pm 0.5"$ (1.27 cm)



IMPORTANT! Always measure each hot tub for exact dimensions BEFORE designing its foundational support and/or decking.



Dimensions/specifications subject to change without notice. Tolerance: $\pm 0.5"$ (1.27 cm)

Dimensions/Specifications Subject To Change Without Notice