

# Sundance® Spas 780 Montclair™

## Specifications

<b>Dimensions:</b> .....	75" x 91" x 33.5" (191 cm x 231 cm x 85.09 cm)	
<b>Perimeter</b> .....	332" (843.3 cm)	
<b>Seating Capacity:</b> .....	4-5 Adults	
<b>Dry Weight:</b> .....	790 lbs (358 kg)	
<b>Filled Weight (Spa Volume):</b> .....	4,251 lbs (1,928 kg)	
<b>Filled Weight (Average Fill):</b> .....	3,375 lbs (1,531 kg)	
<b>Water Capacity (Spa Volume):</b> .....	415 US Gal (1,571 Liters)	
<b>Water Capacity (Average Fill):</b> .....	310 US Gal (1,173 Liters)	
<b>Controls:</b> .....	780 Series Solid-State Electronic Controls with LED Readout, Programmable Temperature, Filtration, and Heat Cycles	
<b>Water Delivery:</b> .....	2 High Flow Pump	
<b>Pump 1:</b> .....	North America (60 Hz): 1-Speed/2.5 HP Continuous, 12A Max., 56 Frame <b>Export (50 Hz): 1-Speed/2.0 HP continuous, 8.0A Max.</b>	
<b>Pump 2:</b> .....	North America (60 Hz): 1-Speed/2.5 HP Continuous, 11A Max., 56 Frame <b>Export (50 Hz): 1-Speed/2.0 HP Continuous, 7.0A Max.</b>	
<b>Pump 3:</b> .....	24 Hour Programmable Circ Pump, 8 Hour Factory Default	
<b>Total Hydrojets:</b> .....	<b>30</b>	
<b>Seat A Jets:</b> .....	6 SMT Fluidix, 2 Adjustable Accu-Pressure, 2 Mini Vortex	
<b>Seat B Jets:</b> .....	1 Vortex	
<b>Seat C Jets:</b> .....	2 SMT Micro, 9 Accu-Pressure	
<b>Seat D Jets:</b> .....	4 Mini Vortex, 2 Vortex	
<b>Footwell Jets (E):</b> .....	2 Mini Vortex	
<b>Air Controls/Massage Selectors:</b> .....	3/1 Standard air control with LED lights	
<b>Filter:</b> .....	MicroClean® I Filtration System with Floating Weir, 125 ft² combined filtration, (1 pleated and 1 spun-bound cartridge)	
<b>Water Treatment:</b> .....	8-Hour Circulation Pump; Factory installed CLEARARRAY Active Oxygen™ Clear Water System	
<b>Lighting:</b> .....	Standard Multi-Colored SunRay LED Light; 6 LED Pin Lights; Indicator light; Air controls	
<b>Synthetic Cabinet:</b> .....	Available in Coastal, Mahogany, Autumn Walnut	
<b>Shell Colors:</b> .....	North America: Platinum, Celestite (Gypsum), Monaco, Midnight, Porcelain <b>Export (50 Hz): All North America Colors</b>	
<b>Handrails:</b> .....	N/A	
<b>Headrests:</b> .....	Three, 1-Piece Gray	
<b>Heater:</b> .....	North America Model (60 Hz): High Flow 5.5 kW@240 VAC; <b>Export (50 Hz): High Flow, 2.7 kW</b>	
<b>Electrical Requirements:</b> .....	North America Model (60 Hz): 240 VAC@40A, 50A or 60A <b>Export (50 Hz): 230-240 VAC@1x20A, 1x16A/1x20A, or 3x16A (see manual for more configurations); or Suitably Rated Circuit Breaker to Comply with Local Electrical Regulations. Certain Countries May Require Dual Power Inputs; Two GFCI/RCD Breakers are Required for This Configuration.</b>	
<b>Limited Warranty*:</b> .....	North America (60 Hz): 10 Years Shell, 7 Years Shell Surface, 5 Years Plumbing Component Leaks, 5 Years Equipment and Controls, 5 Years Cabinet, 2 Years Jets, 2 Years Lights, 1 Year Stereo <b>Export (50 Hz): 10 Years Shell, 7 Years Shell Surface, 5 Years Plumbing Component Leaks, 5 Years Equipment and Controls, 5 Years Cabinet, 2 Years Jets, 2 Years Lights, 2 Years Stereo</b>	
<b>Waterfall Feature:</b> .....	On/Off Flow Rate on when circulation pump is running; Colored Lighting	
<b>Audio System (Optional):</b> .....	Factory Installed BLUEWAVE® Spa Stereo System with an Auxiliary 3.5 mm headphone jack connection and Bluetooth® compatible	
<b>Special Features (Optional):</b> .....	Factory Installed SmartTub® module	

\*(See Warranty Document for Specific Details)

Dimensions/Specifications Subject To Change Without Notice

# Sundance Spas 780 Montclair

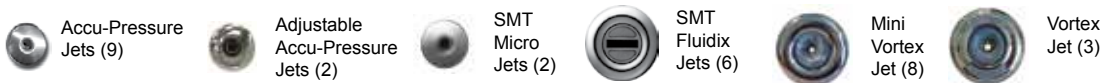
## Operation/Seat Depths



- (A) Air Control - Activates Seat A Jets (6 SMT Fluidix, 2 Adjustable Accu-Pressure, 2 Mini Vortex)
- (B) Massage Selector [Pump 1]- Adjusts Massage Level Between Seat A Jets and Seat C Jets
- (C) Air Control - Activates Seat C Jets (2 SMT Micro, 9 Accu-Pressure)
- (D) Air Control - Activates Seat B Jets (1 Vortex) + Seat D Jets (4 Mini Vortex, 2 Vortex) + Footwell Jets (2 Mini Vortex)
- (E) Waterfall Selector [8-Hour Circ. Pump] - Controls Waterfall Output

• Jets Pump 2: Seat B Jets + Seat D Jets + Footwell Jets are always on when the jets pump is running

### 30 Total Jets (Stainless Steel Escutcheons Standard)

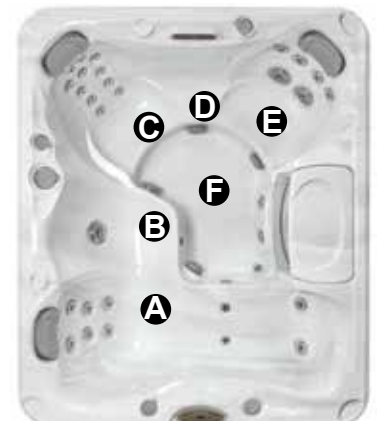


Spa Operation Subject To Change Without Notice

## SEAT DEPTHS

- A = 24.63" (62.55 cm)
- B = 24.63" (62.55 cm)
- C = 27.75" (70.49 cm)
- D = 22.75" (57.79 cm)
- E = 25.75" (65.41 cm)
- F = 30.38" (77.15 cm)

Listed dimensions represent distance from top of acrylic to lowest point in seat. **Tolerance  $\pm 0.5"$  (1.27 cm).**

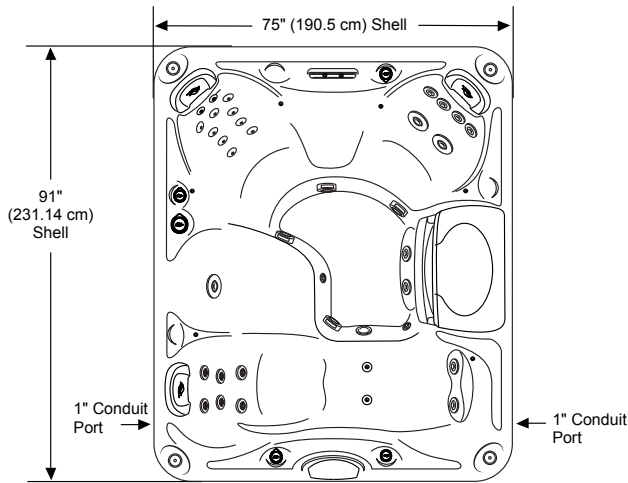


Dimensions/Specifications Subject To Change Without Notice

# Sundance Spas 780 Montclair

## Portable Dimensions

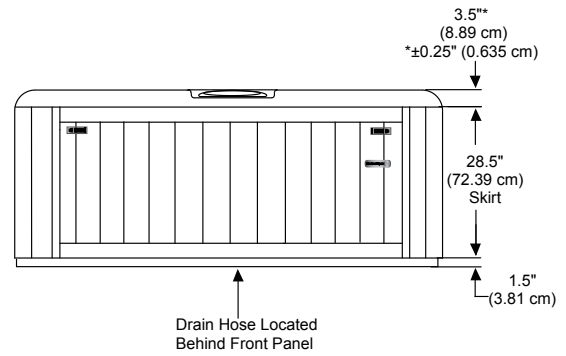
**TOP VIEW**



**FRONT**  
Equipment Bay/Pump Access  
behind skirt panels (CLEARRAY, Optional BLUEWAVE,  
and Optional SmartTub Module behind skirt panels)

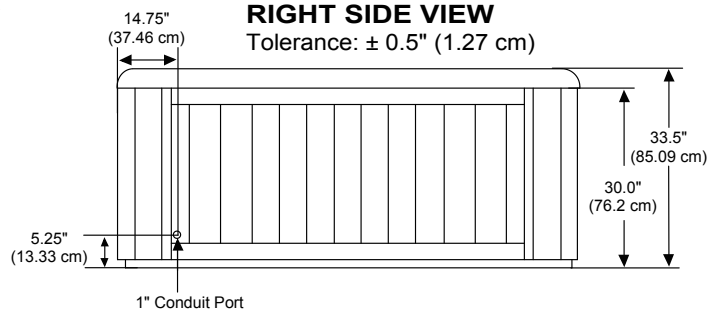
**FRONT/BACK VIEW**

Tolerance:  $\pm 0.5"$  (1.27 cm)

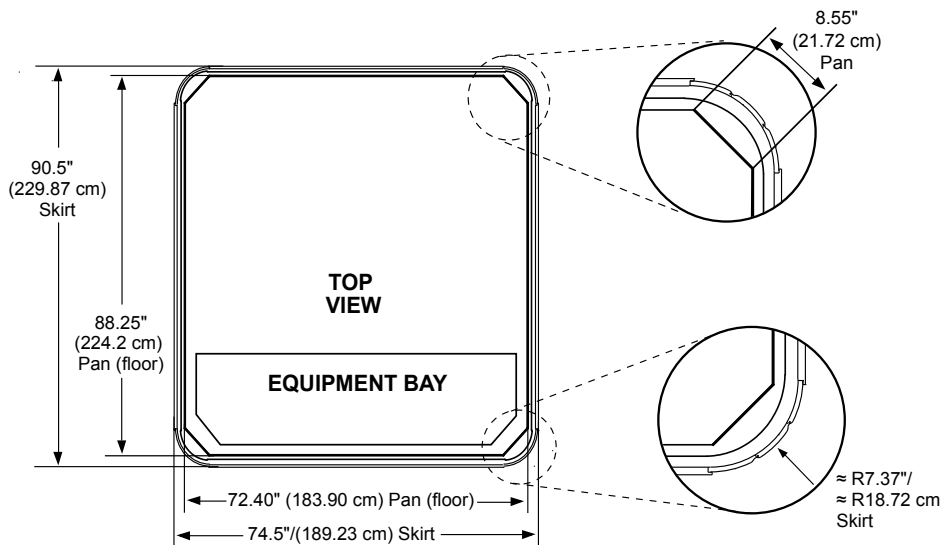


**RIGHT SIDE VIEW**

Tolerance:  $\pm 0.5"$  (1.27 cm)



**IMPORTANT! Always measure each hot tub for exact dimensions BEFORE designing its foundational support and/or decking.**



Dimensions/specifications subject to change without notice. Tolerance:  $\pm 0.5"$  (1.27 cm)

Dimensions/Specifications Subject To Change Without Notice